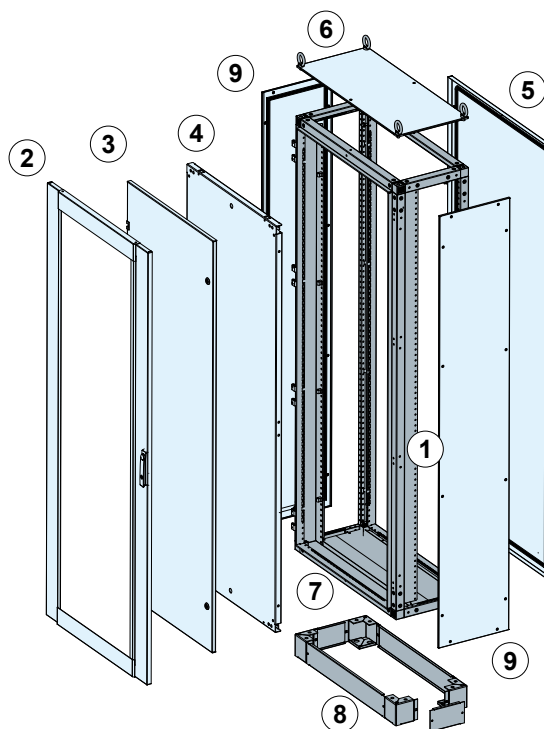




ARMADI COMPONENTI AST - Porta trasparente



**Componenti inclusi**

- Struttura (sp. 20/10 mm)
- Porta trasparente (sp. 15/10 mm)
- Controporta (sp. 15/10 mm)
- Chiusura retro (sp. 15/10 mm)
- Tetto (sp. 15/10 mm)

**Componenti da ordinare**

- Piastra standard / maggiorata (sp. 25/10 mm)
- Chiusure laterali (sp. 12/10 mm)
- Kit unione armadi
- Flangia componibile/passacavi/cieca (sp. 15-20/10 mm)
- Zoccolo H 100/200 (sp. 30-15/10 mm)

ARMADIO MONTATO	COMPONENTI INCLUSI						COMPONENTI DA ORDINARE									
	1			2	3	5	6	4		9	KIT	7			8	
	DIMENSIONI			PORTA TRASP.	CONTRO PORTA	CHIUS. RETRO	TETTO	PIASTRA		CHIUS. LAT.	UNIONE ARMADI	FLANGIA			ZOCOLO	
	P	L	H					STD.	MAG.			COMP.	PAS.	CIECA	H100	H200
<b>AST4/616</b>	600			4PTS616	4CP616	4RS616	4TS46	4MA616	4MM616	4FS416	4KA	4FA46	4FAP46	4FC46	4ZA1/46	4ZA2/46
<b>AST4/816</b>	800	1600		4PTS816	4CP816	4RS816	4TS48	4MA816	4MM816	4FS416	4KA	4FA48	4FAP48	4FC48	4ZA1/48	4ZA2/48
<b>AST4/1016</b>	1000			4PTS1016	4CP1016	4RS1016	4TS410	4MA1016	4MM1016	4FS416	4KA	4FA410	4FAP410	4FC410	4ZA1/410	4ZA2/410
<b>AST4/618</b>	600			4PTS618	4CP618	4RS618	4TS46	4MA618	4MM618	4FS418	4KA	4FA46	4FAP46	4FC46	4ZA1/46	4ZA2/46
<b>AST4/818</b>	800	1800		4PTS818	4CP818	4RS818	4TS48	4MA818	4MM818	4FS418	4KA	4FA48	4FAP48	4FC48	4ZA1/48	4ZA2/48
<b>AST4/1018</b>	1000			4PTS1018	4CP1018	4RS1018	4TS410	4MA1018	4MM1018	4FS418	4KA	4FA410	4FAP410	4FC410	4ZA1/410	4ZA2/410
<b>AST4/620</b>	600		400	4PTS620	4CP620	4RS620	4TS46	4MA620	4MM620	4FS420	4KA	4FA46	4FAP46	4FC46	4ZA1/46	4ZA2/46
<b>AST4/820</b>	800	2000		4PTS820	4CP820	4RS820	4TS48	4MA820	4MM820	4FS420	4KA	4FA48	4FAP48	4FC48	4ZA1/48	4ZA2/48
<b>AST4/1020</b>	1000			4PTS1020	4CP1020	4RS1020	4TS410	4MA1020	4MM1020	4FS420	4KA	4FA410	4FAP410	4FC410	4ZA1/410	4ZA2/410
<b>AST4/622</b>	600			4PTS622	4CP622	4RS622	4TS46	4MA622	4MM622	4FS422	4KA	4FA46	4FAP46	4FC46	4ZA1/46	4ZA2/46
<b>AST4/822</b>	800	2200		4PTS822	4CP822	4RS822	4TS48	4MA822	4MM822	4FS422	4KA	4FA48	4FAP48	4FC48	4ZA1/48	4ZA2/48
<b>AST4/1022</b>	1000			4PTS1022	4CP1022	4RS1022	4TS410	4MA1022	4MM1022	4FS422	4KA	4FA410	4FAP410	4FC410	4ZA1/410	4ZA2/410



ARMADIO MONTATO	COMPONENTI INCLUSI						COMPONENTI DA ORDINARE									
	1			2	3	5	6	4		9	KIT	7			8	
	DIMENSIONI			PORTA TRASP.	CONTRO PORTA	CHIUS. RETRO	TETTO	PIASTRA		CHIUS. LAT.	UNIONE ARMADI	FLANGIA			ZOCOLO	
P	L	H					STD.	MAG.			COMP.	PAS.	CIECA	H100	H200	
<b>AST5/616</b>	600			4PTS616	4CP616	4RS616	4TS56	4MA616	4MM616	4FS516	4KA	4FA56	4FAP56	4FC56	4ZA1/56	4ZA2/56
<b>AST5/816</b>	800	1600		4PTS816	4CP618	4RS816	4TS58	4MA816	4MM816	4FS516	4KA	4FA58	4FAP58	4FC58	4ZA1/58	4ZA2/58
<b>AST5/1016</b>	1000			4PTS1016	4CP1016	4RS1016	4TS510	4MA1016	4MM1016	4FS516	4KA	4FA510	4FAP510	4FC510	4ZA1/510	4ZA2/510
<b>AST5/618</b>	600			4PTS618	4CP618	4RS618	4TS56	4MA618	4MM618	4FS518	4KA	4FA56	4FAP56	4FC56	4ZA1/56	4ZA2/56
<b>AST5/818</b>	800	1800		4PTS818	4CP818	4RS818	4TS58	4MA818	4MM818	4FS518	4KA	4FA58	4FAP58	4FC58	4ZA1/58	4ZA2/58
<b>AST5/1018</b>	1000			4PTS1018	4CP1018	4RS1018	4TS510	4MA1018	4MM1018	4FS518	4KA	4FA510	4FAP510	4FC510	4ZA1/510	4ZA2/510
<b>AST5/620</b>	600		500	4PTS620	4CP620	4RS620	4TS56	4MA620	4MM620	4FS520	4KA	4FA56	4FAP56	4FC56	4ZA1/56	4ZA2/56
<b>AST5/820</b>	800	2000		4PTS820	4CP820	4RS820	4TS58	4MA820	4MM820	4FS520	4KA	4FA58	4FAP58	4FC58	4ZA1/58	4ZA2/58
<b>AST5/1020</b>	1000			4PTS1020	4CP1020	4RS1020	4TS510	4MA1020	4MM1020	4FS520	4KA	4FA510	4FAP510	4FC510	4ZA1/510	4ZA2/510
<b>AST5/622</b>	600			4PTS622	4CP622	4RS622	4TS56	4MA622	4MM622	4FS522	4KA	4FA56	4FAP56	4FC56	4ZA1/56	4ZA2/56
<b>AST5/822</b>	800	2200		4PTS822	4CP822	4RS822	4TS58	4MA822	4MM822	4FS522	4KA	4FA58	4FAP58	4FC58	4ZA1/58	4ZA2/58
<b>AST5/1022</b>	1000			4PTS1022	4CP1022	4RS1022	4TS510	4MA1022	4MM1022	4FS522	4KA	4FA510	4FAP510	4FC510	4ZA1/510	4ZA2/510
<b>AST6/616</b>	600			4PTS616	4CP616	4RS616	4TS66	4MA616	4MM616	4FS616	4KA	4FA66	4FAP66	4FC66	4ZA1/66	4ZA2/66
<b>AST6/816</b>	800	1600		4PTS816	4CP816	4RS816	4TS68	4MA816	4MM816	4FS616	4KA	4FA68	4FAP68	4FC68	4ZA1/68	4ZA2/68
<b>AST6/1016</b>	1000			4PTS1016	4CP1016	4RS1016	4TS610	4MA1016	4MM1016	4FS616	4KA	4FA610	4FAP610	4FC610	4ZA1/610	4ZA2/610
<b>AST6/618</b>	600			4PTS618	4CP618	4RS618	4TS66	4MA618	4MM618	4FS618	4KA	4FA66	4FAP66	4FC66	4ZA1/66	4ZA2/66
<b>AST6/818</b>	800	1800		4PTS818	4CP818	4RS818	4TS68	4MA818	4MM818	4FS618	4KA	4FA68	4FAP68	4FC68	4ZA1/68	4ZA2/68
<b>AST6/1018</b>	1000		600	4PTS1018	4CP1018	4RS1018	4TS610	4MA1018	4MM1018	4FS618	4KA	4FA610	4FAP610	4FC610	4ZA1/610	4ZA2/610
<b>AST6/620</b>	600			4PTS620	4CP620	4RS620	4TS66	4MA620	4MM620	4FS620	4KA	4FA66	4FAP66	4FC66	4ZA1/66	4ZA2/66
<b>AST6/820</b>	800	2000		4PTS820	4CP820	4RS820	4TS68	4MA820	4MM820	4FS620	4KA	4FA68	4FAP68	4FC68	4ZA1/68	4ZA2/68
<b>AST6/1020</b>	1000			4PTS1020	4CP1020	4RS1020	4TS610	4MA1020	4MM1020	4FS620	4KA	4FA610	4FAP610	4FC610	4ZA1/610	4ZA2/610
<b>AST6/622</b>	600			4PTS622	4CP622	4RS622	4TS66	4MA622	4MM622	4FS622	4KA	4FA66	4FAP66	4FC66	4ZA1/66	4ZA2/66
<b>AST6/822</b>	800	2200		4PTS822	4CP822	4RS822	4TS68	4MA822	4MM822	4FS622	4KA	4FA68	4FAP68	4FC68	4ZA1/68	4ZA2/68
<b>AST6/1022</b>	1000			4PTS1022	4CP1022	4RS1022	4TS610	4MA1022	4MM1022	4FS622	4KA	4FA610	4FAP610	4FC610	4ZA1/610	4ZA2/610
<b>AST8/616</b>	600			4PTS616	4CP616	4RS616	4TS86	4MA616	4MM616	4FS816	4KA	4FA86	4FAP86	4FC86	4ZA1/86	4ZA2/86
<b>AST8/816</b>	800	1600		4PTS816	4CP816	4RS816	4TS88	4MA816	4MM816	4FS816	4KA	4FA88	4FAP88	4FC88	4ZA1/88	4ZA2/88
<b>AST8/1016</b>	1000			4PTS1016	4CP1016	4RS1016	4TS810	4MA1016	4MM1016	4FS816	4KA	4FA810	4FAP810	4FC810	4ZA1/810	4ZA2/810
<b>AST8/618</b>	600			4PTS618	4CP618	4RS618	4TS86	4MA618	4MM618	4FS818	4KA	4FA86	4FAP86	4FC86	4ZA1/86	4ZA2/86
<b>AST8/818</b>	800	1800		4PTS818	4CP818	4RS818	4TS88	4MA818	4MM818	4FS818	4KA	4FA88	4FAP88	4FC88	4ZA1/88	4ZA2/88
<b>AST8/1018</b>	1000			4PTS1018	4CP1018	4RS1018	4TS810	4MA1018	4MM1018	4FS818	4KA	4FA810	4FAP810	4FC810	4ZA1/810	4ZA2/810
<b>AST8/620</b>	600		800	4PTS620	4CP620	4RS620	4TS86	4MA620	4MM620	4FS820	4KA	4FA86	4FAP86	4FC86	4ZA1/86	4ZA2/86
<b>AST8/820</b>	800	2000		4PTS820	4CP820	4RS820	4TS88	4MA820	4MM820	4FS820	4KA	4FA88	4FAP88	4FC88	4ZA1/88	4ZA2/88
<b>AST8/1020</b>	1000			4PTS1020	4CP1020	4RS1020	4TS810	4MA1020	4MM1020	4FS820	4KA	4FA810	4FAP810	4FC810	4ZA1/810	4ZA2/810
<b>AST8/622</b>	600			4PTS622	4CP622	4RS622	4TS86	4MA622	4MM622	4FS822	4KA	4FA86	4FAP86	4FC86	4ZA1/86	4ZA2/86
<b>AST8/822</b>	800	2200		4PTS822	4CP822	4RS822	4TS88	4MA822	4MM822	4FS822	4KA	4FA88	4FAP88	4FC88	4ZA1/88	4ZA2/88
<b>AST8/1022</b>	1000			4PTS1022	4CP1022	4RS1022	4TS810	4MA1022	4MM1022	4FS822	4KA	4FA810	4FAP810	4FC810	4ZA1/810	4ZA2/810
<b>AST10/616</b>	600			4PTS616	4CP616	4RS616	4TS86	4MA616	4MM616	4FS1016	4KA	4FA106	4FAP106	4FC106	4ZA1/106	4ZA2/106
<b>AST10/816</b>	800	1600		4PTS816	4CP816	4RS816	4TS88	4MA816	4MM816	4FS1016	4KA	4FA108	4FAP108	4FC108	4ZA1/108	4ZA2/108
<b>AST10/1016</b>	1000			4PTS1016	4CP1016	4RS1016	4TS810	4MA1016	4MM1016	4FS1016	4KA	4FA1010	4FAP1010	4FC1010	4ZA1/1010	4ZA2/1010
<b>AST10/618</b>	600			4PTS618	4CP618	4RS618	4TS86	4MA618	4MM618	4FS1018	4KA	4FA106	4FAP106	4FC106	4ZA1/106	4ZA2/106
<b>AST10/818</b>	800	1800		4PTS818	4CP818	4RS818	4TS88	4MA818	4MM818	4FS1018	4KA	4FA108	4FAP108	4FC108	4ZA1/108	4ZA2/108
<b>AST10/1018</b>	1000		1000	4PTS1018	4CP1018	4RS1018	4TS810	4MA1018	4MM1018	4FS1018	4KA	4FA1010	4FAP1010	4FC1010	4ZA1/1010	4ZA2/1010
<b>AST10/620</b>	600			4PTS620	4CP620	4RS620	4TS86	4MA620	4MM620	4FS1020	4KA	4FA106	4FAP106	4FC106	4ZA1/106	4ZA2/106
<b>AST10/820</b>	800	2000		4PTS820	4CP820	4RS820	4TS88	4MA820	4MM820	4FS1020	4KA	4FA108	4FAP108	4FC108	4ZA1/108	4ZA2/108
<b>AST10/1020</b>	1000			4PTS1020	4CP1020	4RS1020	4TS810	4MA1020	4MM1020	4FS1020	4KA	4FA1010	4FAP1010	4FC1010	4ZA1/1010	4ZA2/1010
<b>AST10/622</b>	600			4PTS622	4CP622	4RS622	4TS86	4MA622	4MM622	4FS1022	4KA	4FA106	4FAP106	4FC106	4ZA1/106	4ZA2/106
<b>AST10/822</b>	800	2200		4PTS822	4CP822	4RS822	4TS88	4MA822	4MM822	4FS1022	4KA	4FA108	4FAP108	4FC108	4ZA1/108	4ZA2/108
<b>AST10/1022</b>	1000			4PTS1022	4CP1022	4RS1022	4TS810	4MA1022	4MM1022	4FS1022	4KA	4FA1010	4FAP1010	4FC1010	4ZA1/1010	4ZA2/1010