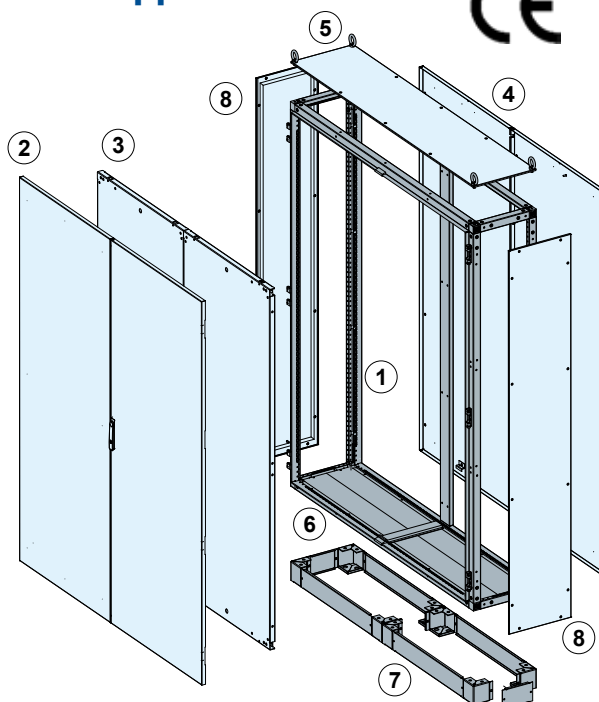




ARMADI COMPONENTI ASD - Porta doppia



ARMADIO MONTATO	COMPONENTI INCLUSI					COMPONENTI DA ORDINARE									
	1			2	4	5	3		8	KIT	6			7	
	DIMENSIONI			PORTA CIECA	CHIUSURA RETRO	TETTO	PIASTRA		CHIUSURE LATERALI	UNIONE ARMADI	FLANGIA			ZOCCHOLO	
	P	L	H				STD.	MAG.			COMP.	PAS.	CIECA	H100	H200
ASD4/816	800			4PSD816	4RS816	4TS48	4MA816	4MM816	4FS416	4KA	4FA48	4FAP48	4FC48	4ZA1/48	4ZA2/48
ASD4/1016	1000			4PSD1016	4RS1016	4TS410	4MA1016	4MM1016	4FS416	4KA	4FA410	4FAP410	4FC410	4ZA1/410	4ZA2/410
ASD4/1216	1200		1600	4PSD1216	4RS1216D	4TS412	4MA1216	4MM1216	4FS416	4KA	4FA412	4FAP412	4FC412	4ZA1/412	4ZA2/412
ASD4/1616	1600			4PSD1616	4RS1616D	4TS416	4MA1616	4MM1616	4FS416	4KA	4FA416	4FAP416	4FC416	4ZA1/416	4ZA2/416
ASD4/818	800			4PSD818	4RS818	4TS48	4MA818	4MM818	4FS418	4KA	4FA48	4FAP48	4FC48	4ZA1/48	4ZA2/48
ASD4/1018	1000			4PSD1018	4RS1018	4TS410	4MA1018	4MM1018	4FS418	4KA	4FA410	4FAP410	4FC410	4ZA1/410	4ZA2/410
ASD4/1218	1200		1800	4PSD1218	4RS1218D	4TS412	4MA1218	4MM1218	4FS418	4KA	4FA412	4FAP412	4FC412	4ZA1/412	4ZA2/412
ASD4/1618	1600			4PSD1618	4RS1618D	4TS416	4MA1618	4MM1618	4FS418	4KA	4FA416	4FAP416	4FC416	4ZA1/416	4ZA2/416
ASD4/820	800		400	4PSD820	4RS820	4TS48	4MA820	4MM820	4FS420	4KA	4FA48	4FAP48	4FC48	4ZA1/48	4ZA2/48
ASD4/1020	1000			4PSD1020	4RS1020	4TS410	4MA1020	4MM1020	4FS420	4KA	4FA410	4FAP410	4FC410	4ZA1/410	4ZA2/410
ASD4/1220	1200		2000	4PSD1220	4RS1220D	4TS412	4MA1220	4MM1220	4FS420	4KA	4FA412	4FAP412	4FC412	4ZA1/412	4ZA2/412
ASD4/1620	1600			4PSD1620	4RS1620D	4TS416	4MA1620	4MM1620	4FS420	4KA	4FA416	4FAP416	4FC416	4ZA1/416	4ZA2/416
ASD4/822	800			4PSD822	4RS822	4TS48	4MA822	4MM822	4FS422	4KA	4FA48	4FAP48	4FC48	4ZA1/48	4ZA2/48
ASD4/1022	1000			4PSD1022	4RS1022	4TS410	4MA1022	4MM1022	4FS422	4KA	4FA410	4FAP410	4FC410	4ZA1/410	4ZA2/410
ASD4/1222	1200		2200	4PSD1222	4RS1222D	4TS412	4MA1222	4MM1222	4FS422	4KA	4FA412	4FAP412	4FC412	4ZA1/412	4ZA2/412
ASD4/1622	1600			4PSD1622	4RS1622D	4TS416	4MA1622	4MM1622	4FS422	4KA	4FA416	4FAP416	4FC416	4ZA1/416	4ZA2/416
ASD5/816	800			4PSD816	4RS816	4TS58	4MA816	4MM816	4FS516	4KA	4FA58	4FAP58	4FC58	4ZA1/58	4ZA2/58
ASD5/1016	1000			4PSD1016	4RS1016	4TS510	4MA1016	4MM1016	4FS516	4KA	4FA510	4FAP510	4FC510	4ZA1/510	4ZA2/510
ASD5/1216	1200		1600	4PSD1216	4RS1216D	4TS512	4MA1216	4MM1216	4FS516	4KA	4FA512	4FAP512	4FC512	4ZA1/512	4ZA2/512
ASD5/1616	1600			4PSD1616	4RS1616D	4TS516	4MA1616	4MM1616	4FS516	4KA	4FA516	4FAP516	4FC516	4ZA1/516	4ZA2/516
ASD5/818	800			4PSD818	4RS818	4TS58	4MA818	4MM818	4FS518	4KA	4FA58	4FAP58	4FC58	4ZA1/58	4ZA2/58
ASD5/1018	1000			4PSD1018	4RS1018	4TS510	4MA1018	4MM1018	4FS518	4KA	4FA510	4FAP510	4FC510	4ZA1/510	4ZA2/510
ASD5/1218	1200		1800	4PSD1218	4RS1218D	4TS512	4MA1218	4MM1218	4FS518	4KA	4FA512	4FAP512	4FC512	4ZA1/512	4ZA2/512
ASD5/1618	1600			4PSD1618	4RS1618D	4TS516	4MA1618	4MM1618	4FS518	4KA	4FA516	4FAP516	4FC516	4ZA1/516	4ZA2/516
ASD5/820	800		500	4PSD820	4RS820	4TS58	4MA820	4MM820	4FS520	4KA	4FA58	4FAP58	4FC58	4ZA1/58	4ZA2/58
ASD5/1020	1000			4PSD1020	4RS1020	4TS510	4MA1020	4MM1020	4FS520	4KA	4FA510	4FAP510	4FC510	4ZA1/510	4ZA2/510
ASD5/1220	1200		2000	4PSD1220	4RS1220D	4TS512	4MA1220	4MM1220	4FS520	4KA	4FA512	4FAP512	4FC512	4ZA1/512	4ZA2/512
ASD5/1620	1600			4PSD1620	4RS1620D	4TS516	4MA1620	4MM1620	4FS520	4KA	4FA516	4FAP516	4FC516	4ZA1/516	4ZA2/516
ASD5/822	800			4PSD822	4RS822	4TS58	4MA822	4MM822	4FS522	4KA	4FA58	4FAP58	4FC58	4ZA1/58	4ZA2/58
ASD5/1022	1000			4PSD1022	4RS1022	4TS510	4MA1022	4MM1022	4FS522	4KA	4FA510	4FAP510	4FC510	4ZA1/510	4ZA2/510
ASD5/1222	1200		2200	4PSD1222	4RS1222D	4TS512	4MA1222	4MM1222	4FS522	4KA	4FA512	4FAP512	4FC512	4ZA1/512	4ZA2/512
ASD5/1622	1600			4PSD1622	4RS1622D	4TS516	4MA1622	4MM1622	4FS522	4KA	4FA516	4FAP516	4FC516	4ZA1/516	4ZA2/516



ARMADIO MONTATO	COMPONENTI INCLUSI					COMPONENTI DA ORDINARE									
	1			2	4	5	3		8	KIT	6			7	
	DIMENSIONI			PORTA CIECA	CHIUSURA RETRO	TETTO	PIASTRA		CHIUSURE LATERALI	UNIONE ARMADI	FLANGIA			ZOCOLO	
	P	L	H				STD.	MAG.			COMP.	PAS.	CIECA	H100	H200
<b>ASD6/816</b>	800			4PSD816	4RS816	4TS68	4MA816	4MM816	4FS616	4KA	4FA68	4FAP68	4FC68	4ZA1/68	4ZA2/68
<b>ASD6/1016</b>	1000		1600	4PSD1016	4RS1016	4TS610	4MA1016	4MM1016	4FS616	4KA	4FA610	4FAP610	4FC610	4ZA1/610	4ZA2/610
<b>ASD6/1216</b>	1200			4PSD1216	4RS1216D	4TS612	4MA1216	4MM1216	4FS616	4KA	4FA612	4FAP612	4FC612	4ZA1/612	4ZA2/612
<b>ASD6/1616</b>	1600			4PSD1616	4RS1616D	4TS616	4MA1616	4MM1616	4FS616	4KA	4FA616	4FAP616	4FC616	4ZA1/616	4ZA2/616
<b>ASD6/818</b>	800			4PSD818	4RS818	4TS68	4MA818	4MM818	4FS618	4KA	4FA68	4FAP68	4FC68	4ZA1/68	4ZA2/68
<b>ASD6/1018</b>	1000		1800	4PSD1018	4RS1018	4TS610	4MA1018	4MM1018	4FS618	4KA	4FA610	4FAP610	4FC610	4ZA1/610	4ZA2/610
<b>ASD6/1218</b>	1200			4PSD1218	4RS1218D	4TS612	4MA1218	4MM1218	4FS618	4KA	4FA612	4FAP612	4FC612	4ZA1/612	4ZA2/612
<b>ASD6/1618</b>	1600			4PSD1618	4RS1618D	4TS616	4MA1618	4MM1618	4FS618	4KA	4FA616	4FAP616	4FC616	4ZA1/616	4ZA2/616
<b>ASD6/820</b>	800	600		4PSD820	4RS820	4TS68	4MA820	4MM820	4FS620	4KA	4FA68	4FAP68	4FC68	4ZA1/68	4ZA2/68
<b>ASD6/1020</b>	1000		2000	4PSD1020	4RS1020	4TS610	4MA1020	4MM1020	4FS620	4KA	4FA610	4FAP610	4FC610	4ZA1/610	4ZA2/610
<b>ASD6/1220</b>	1200			4PSD1220	4RS1220D	4TS612	4MA1220	4MM1220	4FS620	4KA	4FA612	4FAP612	4FC612	4ZA1/612	4ZA2/612
<b>ASD6/1620</b>	1600			4PSD1620	4RS1620D	4TS616	4MA1620	4MM1620	4FS620	4KA	4FA616	4FAP616	4FC616	4ZA1/616	4ZA2/616
<b>ASD6/822</b>	800			4PSD822	4RS822	4TS68	4MA822	4MM822	4FS622	4KA	4FA68	4FAP68	4FC68	4ZA1/68	4ZA2/68
<b>ASD6/1022</b>	1000		2200	4PSD1022	4RS1022	4TS610	4MA1022	4MM1022	4FS622	4KA	4FA610	4FAP610	4FC610	4ZA1/610	4ZA2/610
<b>ASD6/1222</b>	1200			4PSD1222	4RS1222D	4TS612	4MA1222	4MM1222	4FS622	4KA	4FA612	4FAP612	4FC612	4ZA1/612	4ZA2/612
<b>ASD6/1622</b>	1600			4PSD1622	4RS1622D	4TS616	4MA1622	4MM1622	4FS622	4KA	4FA616	4FAP616	4FC616	4ZA1/616	4ZA2/616
<b>ASD8/816</b>	800			4PSD816	4RS816	4TS88	4MA816	4MM816	4FS816	4KA	4FA88	4FAP88	4FC88	4ZA1/88	4ZA2/88
<b>ASD8/1016</b>	1000		1600	4PSD1016	4RS1016	4TS810	4MA1016	4MM1016	4FS816	4KA	4FA810	4FAP810	4FC810	4ZA1/810	4ZA2/810
<b>ASD8/1216</b>	1200			4PSD1216	4RS1216D	4TS812	4MA1216	4MM1216	4FS816	4KA	4FA812	4FAP812	4FC812	4ZA1/812	4ZA2/812
<b>ASD8/1616</b>	1600			4PSD1616	4RS1616D	4TS816	4MA1616	4MM1616	4FS816	4KA	4FA816	4FAP816	4FC816	4ZA1/816	4ZA2/816
<b>ASD8/818</b>	800			4PSD818	4RS818	4TS88	4MA818	4MM818	4FS818	4KA	4FA88	4FAP88	4FC88	4ZA1/88	4ZA2/88
<b>ASD8/1018</b>	1000		1800	4PSD1018	4RS1018	4TS810	4MA1018	4MM1018	4FS818	4KA	4FA810	4FAP810	4FC810	4ZA1/810	4ZA2/810
<b>ASD8/1218</b>	1200			4PSD1218	4RS1218D	4TS812	4MA1218	4MM1218	4FS818	4KA	4FA812	4FAP812	4FC812	4ZA1/812	4ZA2/812
<b>ASD8/1618</b>	1600			4PSD1618	4RS1618D	4TS816	4MA1618	4MM1618	4FS818	4KA	4FA816	4FAP816	4FC816	4ZA1/816	4ZA2/816
<b>ASD8/820</b>	800	800		4PSD820	4RS820	4TS88	4MA820	4MM820	4FS820	4KA	4FA88	4FAP88	4FC88	4ZA1/88	4ZA2/88
<b>ASD8/1020</b>	1000		2000	4PSD1020	4RS1020	4TS810	4MA1020	4MM1020	4FS820	4KA	4FA810	4FAP810	4FC810	4ZA1/810	4ZA2/810
<b>ASD8/1220</b>	1200			4PSD1220	4RS1220D	4TS812	4MA1220	4MM1220	4FS820	4KA	4FA812	4FAP812	4FC812	4ZA1/812	4ZA2/812
<b>ASD8/1620</b>	1600			4PSD1620	4RS1620D	4TS816	4MA1620	4MM1620	4FS820	4KA	4FA816	4FAP816	4FC816	4ZA1/816	4ZA2/816
<b>ASD8/822</b>	800			4PSD822	4RS822	4TS88	4MA822	4MM822	4FS822	4KA	4FA88	4FAP88	4FC88	4ZA1/88	4ZA2/88
<b>ASD8/1022</b>	1000		2200	4PSD1022	4RS1022	4TS810	4MA1022	4MM1022	4FS822	4KA	4FA810	4FAP810	4FC810	4ZA1/810	4ZA2/810
<b>ASD8/1222</b>	1200			4PSD1222	4RS1222D	4TS812	4MA1222	4MM1222	4FS822	4KA	4FA812	4FAP812	4FC812	4ZA1/812	4ZA2/812
<b>ASD8/1622</b>	1600			4PSD1622	4RS1622D	4TS816	4MA1622	4MM1622	4FS822	4KA	4FA816	4FAP816	4FC816	4ZA1/816	4ZA2/816
<b>ASD10/816</b>	800			4PSD816	4RS816	4TS108	4MA816	4MM816	4FS1016	4KA	4FA108	4FAP108	4FC108	4ZA1/108	4ZA2/108
<b>ASD10/1016</b>	1000		1600	4PSD1016	4RS1016	4TS1010	4MA1016	4MM1016	4FS1016	4KA	4FA1010	4FAP1010	4FC1010	4ZA1/1010	4ZA2/1010
<b>ASD10/1216</b>	1200			4PSD1216	4RS1216D	4TS1012	4MA1216	4MM1216	4FS1016	4KA	4FA1012	4FAP1012	4FC1012	4ZA1/1012	4ZA2/1012
<b>ASD10/1616</b>	1600			4PSD1616	4RS1616D	4TS1016	4MA1616	4MM1616	4FS1016	4KA	4FA1016	4FAP1016	4FC1016	4ZA1/1016	4ZA2/1016
<b>ASD10/818</b>	800			4PSD818	4RS818	4TS108	4MA818	4MM818	4FS1018	4KA	4FA108	4FA108	4FC108	4ZA1/108	4ZA2/108
<b>ASD10/1018</b>	1000		1800	4PSD1018	4RS1018	4TS1010	4MA1018	4MM1018	4FS1018	4KA	4FA1010	4FAP1010	4FC1010	4ZA1/1010	4ZA2/1010
<b>ASD10/1218</b>	1200			4PSD1218	4RS1218D	4TS1012	4MA1218	4MM1218	4FS1018	4KA	4FA1012	4FAP1012	4FC1012	4ZA1/1012	4ZA2/1012
<b>ASD10/1618</b>	1600			4PSD1618	4RS1618D	4TS1016	4MA1618	4MM1618	4FS1018	4KA	4FA1016	4FAP1016	4FC1016	4ZA1/1016	4ZA2/1016
<b>ASD10/820</b>	800	1000		4PSD820	4RS820	4TS108	4MA820	4MM820	4FS1020	4KA	4FA108	4FAP108	4FC108	4ZA1/108	4ZA2/108
<b>ASD10/1020</b>	1000		2000	4PSD1020	4RS1020	4TS1010	4MA1020	4MM1020	4FS1020	4KA	4FA1010	4FAP1010	4FC1010	4ZA1/1010	4ZA2/1010
<b>ASD10/1220</b>	1200			4PSD1220	4RS1220D	4TS1012	4MA1220	4MM1220	4FS1020	4KA	4FA1012	4FAP1012	4FC1012	4ZA1/1012	4ZA2/1012
<b>ASD10/1620</b>	1600			4PSD1620	4RS1620D	4TS1016	4MA1620	4MM1620	4FS1020	4KA	4FA1016	4FAP1016	4FC1016	4ZA1/1016	4ZA2/1016
<b>ASD10/822</b>	800			4PSD822	4RS822	4TS108	4MA822	4MM822	4FS1022	4KA	4FA108	4FAP108	4FC108	4ZA1/108	4ZA2/108
<b>ASD10/1022</b>	1000		2200	4PSD1022	4RS1022	4TS1010	4MA1022	4MM1022	4FS1022	4KA	4FA1010	4FAP1010	4FC1010	4ZA1/1010	4ZA2/1010
<b>ASD10/1222</b>	1200			4PSD1222	4RS1222D	4TS1012	4MA1222	4MM1222	4FS1022	4KA	4FA1012	4FAP1012	4FC1012	4ZA1/1012	4ZA2/1012
<b>ASD10/1622</b>	1600			4PSD1622	4RS1622D	4TS1016	4MA1622	4MM1622	4FS1022	4KA	4FA1016	4FAP1016	4FC1016	4ZA1/1016	4ZA2/1016