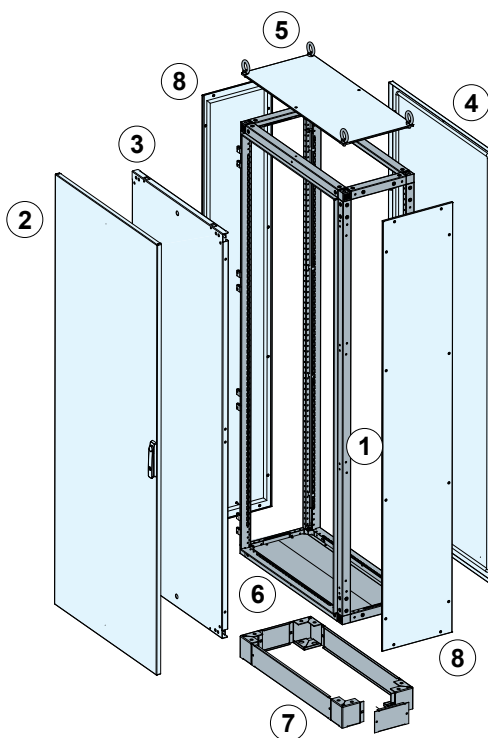




ARMADI COMPONENTI AS - Porta singola



Componenti inclusi

- Struttura (sp. 20/10 mm)
- Porta cieca singola / doppia (sp. 15/10 mm)
- Chiusura retro (sp. 15/10 mm)
- Tetto (sp. 15/10 mm)

Componenti da ordinare

- Piastra standard / maggiorata (sp. 25/10 mm)
- Chiusure laterali (sp. 12/10 mm)
- Kit unione armadi
- Flangia componibile/passacavi/cieca (sp. 15-20/10 mm)
- Zoccolo H 100/200 (sp. 30-15/10 mm)

ARMADIO MONTATO	COMPONENTI INCLUSI					COMPONENTI DA ORDINARE										
	1			2	4	5	3		8	KIT	6			7		
	DIMENSIONI			PORTA CIECA	CHIUSURA RETRO	TETTO	PIASTRA		CHIUSURE LATERALI	UNIONE ARMADI	FLANGIA			ZOCOCCO		
	P	L	H				STD.	MAG.			COMP.	PAS.	CIECA	H100	H200	
AS4/616		600			4PS616	4RS616	4TS46	4MA616	4MM616	4FS416	4KA	4FA46	4FAP46	4FC46	4ZA1/46	4ZA2/46
AS4/816		800	1600		4PS816	4RS816	4TS48	4MA816	4MM816	4FS416	4KA	4FA48	4FAP48	4FC48	4ZA1/48	4ZA2/48
AS4/1016		1000			4PS1016	4RS1016	4TS410	4MA1016	4MM1016	4FS416	4KA	4FA410	4FAP410	4FC410	4ZA1/410	4ZA2/410
AS4/618		600			4PS618	4RS618	4TS46	4MA618	4MM618	4FS418	4KA	4FA46	4FAP46	4FC46	4ZA1/46	4ZA2/46
AS4/818		800	1800		4PS818	4RS818	4TS48	4MA818	4MM818	4FS418	4KA	4FA48	4FAP48	4FC48	4ZA1/48	4ZA2/48
AS4/1018		1000			4PS1018	4RS1018	4TS410	4MA1018	4MM1018	4FS418	4KA	4FA410	4FAP410	4FC410	4ZA1/410	4ZA2/410
AS4/620	400	600			4PS620	4RS620	4TS46	4MA620	4MM620	4FS420	4KA	4FA46	4FAP46	4FC46	4ZA1/46	4ZA2/46
AS4/820		800	2000		4PS820	4RS820	4TS48	4MA820	4MM820	4FS420	4KA	4FA48	4FAP48	4FC48	4ZA1/48	4ZA2/48
AS4/1020		1000			4PS1020	4RS1020	4TS410	4MA1020	4MM1020	4FS420	4KA	4FA410	4FAP410	4FC410	4ZA1/410	4ZA2/410
AS4/622		600			4PS622	4RS622	4TS46	4MA622	4MM622	4FS422	4KA	4FA46	4FAP46	4FC46	4ZA1/46	4ZA2/46
AS4/822		800	2200		4PS822	4RS822	4TS48	4MA822	4MM822	4FS422	4KA	4FA48	4FAP48	4FC48	4ZA1/48	4ZA2/48
AS4/1022		1000			4PS1022	4RS1022	4TS410	4MA1022	4MM1022	4FS422	4KA	4FA410	4FAP410	4FC410	4ZA1/410	4ZA2/410



ARMADIO MONTATO	COMPONENTI INCLUSI					COMPONENTI DA ORDINARE									
	1			2	4	5	3		8	KIT	6			7	
	DIMENSIONI			PORTA CIECA	CHIUSURA RETRO	TETTO	PIASTRA		CHIUSURE LATERALI	UNIONE ARMADI	FLANGIA			ZOCOLO	
P	L	H				STD.	MAG.			COMP.	PAS.	CIECA	H100	H200	
AS5/616	600			4PS616	4RS616	4TS56	4MA616	4MM616	4FS516	4KA	4FA56	4FAP56	4FC56	4ZA1/56	4ZA2/56
AS5/816	800	1600		4PS816	4RS816	4TS58	4MA816	4MM816	4FS516	4KA	4FA58	4FAP58	4FC58	4ZA1/58	4ZA2/58
AS5/1016	1000			4PS1016	4RS1016	4TS510	4MA1016	4MM1016	4FS516	4KA	4FA510	4FAP510	4FC510	4ZA1/510	4ZA2/510
AS5/618	600			4PS618	4RS618	4TS56	4MA618	4MM618	4FS518	4KA	4FA56	4FAP56	4FC56	4ZA1/56	4ZA2/56
AS5/818	800	1800		4PS818	4RS818	4TS58	4MA818	4MM818	4FS518	4KA	4FA58	4FAP58	4FC58	4ZA1/58	4ZA2/58
AS5/1018	1000			4PS1018	4RS1018	4TS510	4MA1018	4MM1018	4FS518	4KA	4FA510	4FAP510	4FC510	4ZA1/510	4ZA2/510
AS5/620	600		500	4PS620	4RS620	4TS56	4MA620	4MM620	4FS520	4KA	4FA56	4FAP56	4FC56	4ZA1/56	4ZA2/56
AS5/820	800	2000		4PS820	4RS820	4TS58	4MA820	4MM820	4FS520	4KA	4FA58	4FAP58	4FC58	4ZA1/58	4ZA2/58
AS5/1020	1000			4PS1020	4RS1020	4TS510	4MA1020	4MM1020	4FS520	4KA	4FA510	4FAP510	4FC510	4ZA1/510	4ZA2/510
AS5/622	600			4PS622	4RS622	4TS56	4MA622	4MM622	4FS522	4KA	4FA56	4FAP56	4FC56	4ZA1/56	4ZA2/56
AS5/822	800	2200		4PS822	4RS822	4TS58	4MA822	4MM822	4FS522	4KA	4FA58	4FAP58	4FC58	4ZA1/58	4ZA2/58
AS5/1022	1000			4PS1022	4RS1022	4TS510	4MA1022	4MM1022	4FS522	4KA	4FA510	4FAP510	4FC510	4ZA1/510	4ZA2/510
AS6/616	600			4PS616	4RS616	4TS66	4MA616	4MM616	4FS616	4KA	4FA66	4FAP66	4FC66	4ZA1/66	4ZA2/66
AS6/816	800	1600		4PS816	4RS816	4TS68	4MA816	4MM816	4FS616	4KA	4FA68	4FAP68	4FC68	4ZA1/68	4ZA2/68
AS6/1016	1000			4PS1016	4RS1016	4TS610	4MA1016	4MM1016	4FS616	4KA	4FA610	4FAP610	4FC610	4ZA1/610	4ZA2/610
AS6/618	600			4PS618	4RS618	4TS66	4MA618	4MM618	4FS618	4KA	4FA66	4FAP66	4FC66	4ZA1/66	4ZA2/66
AS6/818	800	1800		4PS818	4RS818	4TS68	4MA818	4MM818	4FS618	4KA	4FA68	4FAP68	4FC68	4ZA1/68	4ZA2/68
AS6/1018	1000		600	4PS1018	4RS1018	4TS610	4MA1018	4MM1018	4FS618	4KA	4FA610	4FAP610	4FC610	4ZA1/610	4ZA2/610
AS6/620	600			4PS620	4RS620	4TS66	4MA620	4MM620	4FS620	4KA	4FA66	4FAP66	4FC66	4ZA1/66	4ZA2/66
AS6/820	800	2000		4PS820	4RS820	4TS68	4MA820	4MM820	4FS620	4KA	4FA68	4FAP68	4FC68	4ZA1/68	4ZA2/68
AS6/1020	1000			4PS1020	4RS1020	4TS610	4MA1020	4MM1020	4FS620	4KA	4FA610	4FAP610	4FC610	4ZA1/610	4ZA2/610
AS6/622	600			4PS622	4RS622	4TS66	4MA622	4MM622	4FS622	4KA	4FA66	4FAP66	4FC66	4ZA1/66	4ZA2/66
AS6/822	800	2200		4PS822	4RS822	4TS68	4MA822	4MM822	4FS622	4KA	4FA68	4FAP68	4FC68	4ZA1/68	4ZA2/68
AS6/1022	1000			4PS1022	4RS1022	4TS610	4MA1022	4MM1022	4FS622	4KA	4FA610	4FAP610	4FC610	4ZA1/610	4ZA2/610
AS8/616	600			4PS616	4RS616	4TS86	4MA616	4MM616	4FS816	4KA	4FA86	4FAP86	4FC86	4ZA1/86	4ZA2/86
AS8/816	800	1600		4PS816	4RS816	4TS88	4MA816	4MM816	4FS816	4KA	4FA88	4FAP88	4FC88	4ZA1/88	4ZA2/88
AS8/1016	1000			4PS1016	4RS1016	4TS810	4MA1016	4MM1016	4FS816	4KA	4FA810	4FAP810	4FC810	4ZA1/810	4ZA2/810
AS8/618	600			4PS618	4RS618	4TS86	4MA618	4MM618	4FS818	4KA	4FA86	4FAP86	4FC86	4ZA1/86	4ZA2/86
AS8/818	800	1800		4PS818	4RS818	4TS88	4MA818	4MM818	4FS818	4KA	4FA88	4FAP88	4FC88	4ZA1/88	4ZA2/88
AS8/1018	1000		800	4PS1018	4RS1018	4TS810	4MA1018	4MM1018	4FS818	4KA	4FA810	4FAP810	4FC810	4ZA1/810	4ZA2/810
AS8/620	600			4PS620	4RS620	4TS86	4MA620	4MM620	4FS820	4KA	4FA86	4FAP86	4FC86	4ZA1/86	4ZA2/86
AS8/820	800	2000		4PS820	4RS820	4TS88	4MA820	4MM820	4FS820	4KA	4FA88	4FAP88	4FC88	4ZA1/88	4ZA2/88
AS8/1020	1000			4PS1020	4RS1020	4TS810	4MA1020	4MM1020	4FS820	4KA	4FA810	4FAP810	4FC810	4ZA1/810	4ZA2/810
AS8/622	600			4PS622	4RS622	4TS86	4MA622	4MM622	4FS822	4KA	4FA86	4FAP86	4FC86	4ZA1/86	4ZA2/86
AS8/822	800	2200		4PS822	4RS822	4TS88	4MA822	4MM822	4FS822	4KA	4FA88	4FAP88	4FC88	4ZA1/88	4ZA2/88
AS8/1022	1000			4PS1022	4RS1022	4TS810	4MA1022	4MM1022	4FS822	4KA	4FA810	4FAP810	4FC810	4ZA1/810	4ZA2/810
AS10/616	600			4PS616	4RS616	4TS86	4MA616	4MM616	4FS1016	4KA	4FA106	4FAP106	4FC106	4ZA1/106	4ZA2/106
AS10/816	800	1600		4PS816	4RS816	4TS88	4MA816	4MM816	4FS1016	4KA	4FA108	4FAP108	4FC108	4ZA1/108	4ZA2/108
AS10/1016	1000			4PS1016	4RS1016	4TS810	4MA1016	4MM1016	4FS1016	4KA	4FA1010	4FAP1010	4FC1010	4ZA1/1010	4ZA2/1010
AS10/618	600			4PS618	4RS618	4TS86	4MA618	4MM618	4FS1018	4KA	4FA106	4FAP106	4FC106	4ZA1/106	4ZA2/106
AS10/818	800	1800		4PS818	4RS818	4TS88	4MA818	4MM818	4FS1018	4KA	4FA108	4FAP108	4FC108	4ZA1/108	4ZA2/108
AS10/1018	1000		1000	4PS1018	4RS1018	4TS810	4MA1018	4MM1018	4FS1018	4KA	4FA1010	4FAP1010	4FC1010	4ZA1/1010	4ZA2/1010
AS10/620	600			4PS620	4RS620	4TS86	4MA620	4MM620	4FS1020	4KA	4FA106	4FAP106	4FC106	4ZA1/106	4ZA2/106
AS10/820	800	2000		4PS820	4RS820	4TS88	4MA820	4MM820	4FS1020	4KA	4FA108	4FAP108	4FC108	4ZA1/108	4ZA2/108
AS10/1020	1000			4PS1020	4RS1020	4TS810	4MA1020	4MM1020	4FS1020	4KA	4FA1010	4FAP1010	4FC1010	4ZA1/1010	4ZA2/1010
AS10/622	600			4PS622	4RS622	4TS86	4MA622	4MM622	4FS1022	4KA	4FA106	4FAP106	4FC106	4ZA1/106	4ZA2/106
AS10/822	800	2200		4PS822	4RS822	4TS88	4MA822	4MM822	4FS1022	4KA	4FA108	4FAP108	4FC108	4ZA1/108	4ZA2/108
AS10/1022	1000			4PS1022	4RS1022	4TS810	4MA1022	4MM1022	4FS1022	4KA	4FA1010	4FAP1010	4FC1010	4ZA1/1010	4ZA2/1010